

» **modulex**®

Leading the way



Facility View

10" Digital Sign

Data Sheet

General Information

The following pages show hardware and firmware specification technical drawings, including electrical specifications and optional building into wall. At the end of the document the wiring details, mounting details as well as service and maintenance are described.

10" Facility View panel can only be used in combination with Add-On Products' Facility View service installed on a local server. The panel updates the information displayed by automatically calling the application. This process is identical with a standard web access from an Internet browser and the protocol used is standard HTTP.

Throughout this document measurements will be given in both millimetres and inches. The metric measurements are exact whereas the English standard is calculated and therefore shown in brackets: 25.4 [1.00]

10" Facility View Panel Version

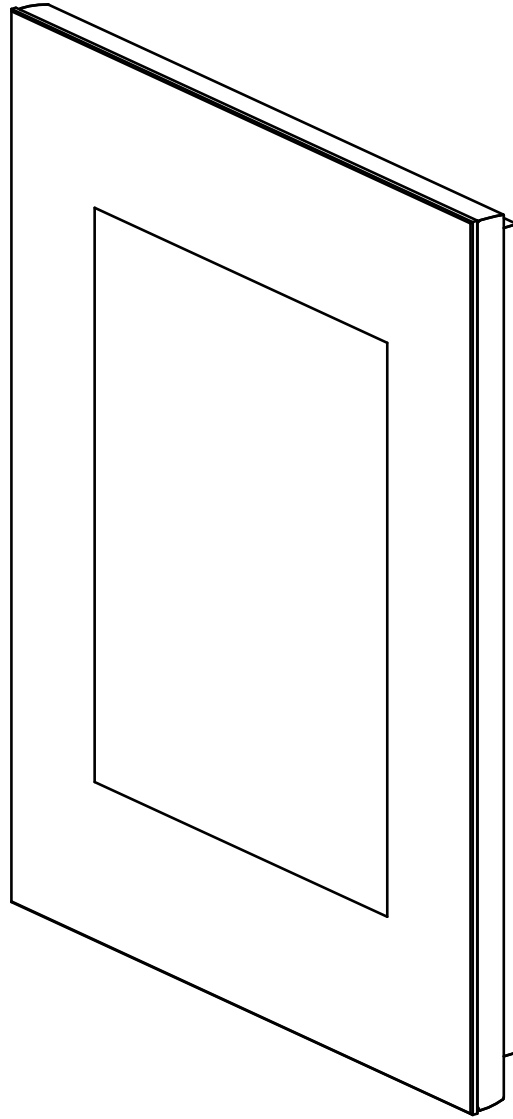
The 10" Facility View panel exists only in a flat portrait version.

Contents:

General Information.....	2
10" Ariadne Panel Version	2
Hardware Specifications	3
Sign Types within the Ariadne 10" Assortment	4
Ariadne Flat Front.....	5
Wiring details for 10" Wall Sign	6
Power Supply and Smart box details.....	7
Mounting Details.....	8
Service and Maintenance	8

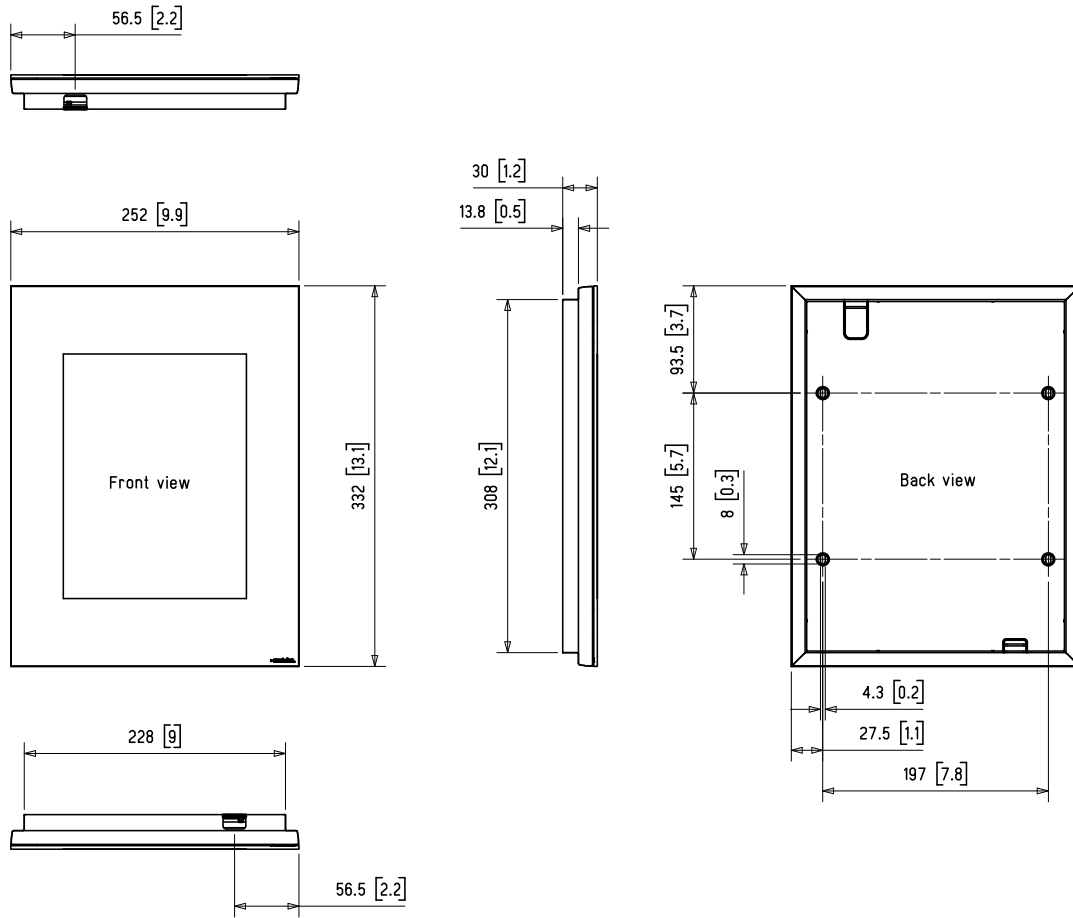
Hardware and Firmware specification

Facility View Controller	
Hardware	Embedded Controller
CPU	AMD186
Speed	20 Mhz (40Mhz)
Power	2W powered through Cat 5 Cable
Network	IEEE 802.3 10/100Mbit
Connection	Cat 5, RJ45
OS/web server	Modified WebNet uServer Gateway (www.iotech.dk)
Display manager	Modulex FPGA driver 16 Bit colour
Window manager	Modulex PNG event manager or Modulex PNG window event manager
Media	PNG (Portable Network Graphic) "RSS 2.0" media
Facility View Sign	
Sizes	10,4"
Build	PNG Controller included in cabinet - Wall signs: Power supply and smart box separate from the sign
Type	TFT with CCFL lamps as backlight
Power consumption	10,4" = 12W
Resolution	10,4" = 480x640
Effective display area	10,4" = 158,4x211,2 mm [6,24 x 8,31 in]
Approvals	
PNG Screen	UL 60950-1, IEC 60950-1, CE, D, 89/336/EC, Complies with part 15 of the FCC rules
MM Controller	UL Listed, CE
Multimedia screens	UL 60950-1, IEC 60950-1, CE, D, 89/336/EC, Complies with part 15 of the FCC rules
Environment	
	Facility View signs is suited for normal indoor conditions (25 degrees Celsius, humidity < 90RH). Do not place the Facility View sign in direct sunlight.

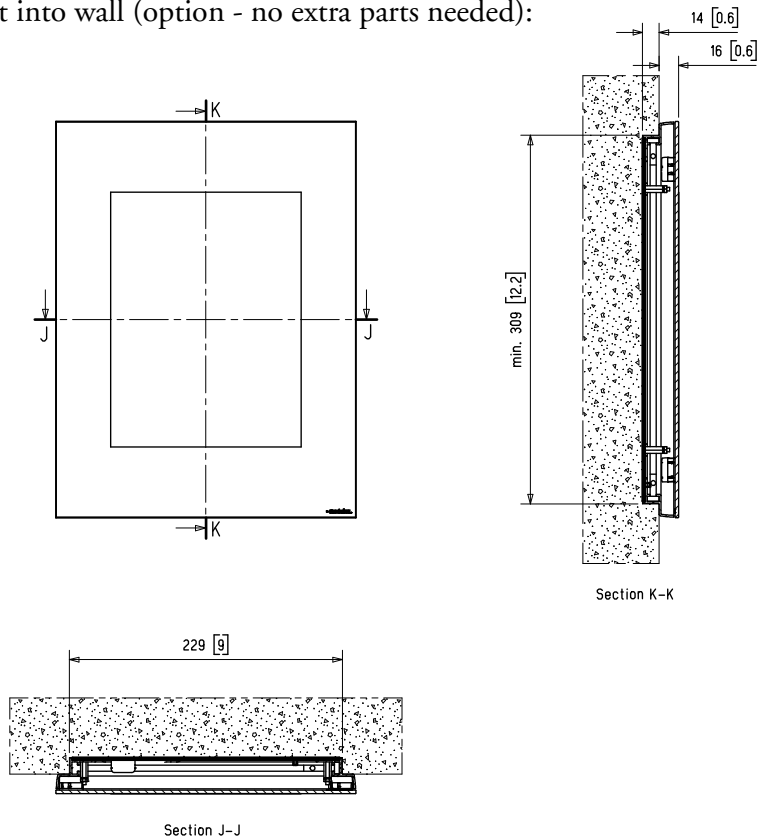


10" flat front
Weight: 2.2 kg. [4.8 lb]
Drawing page 5
Wiring page 6

Facility View Flat Front



Built into wall (option - no extra parts needed):

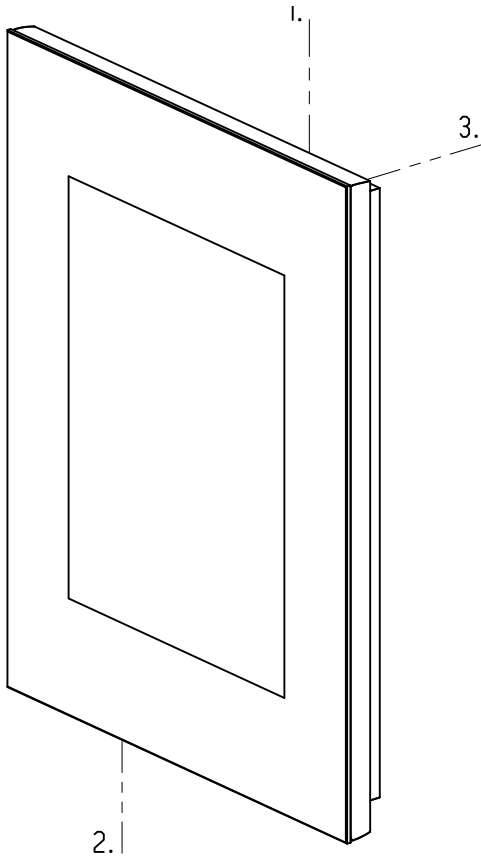


Wiring Details for 10" Facility View Sign

The power supply and the smart box are placed outside the sign. The purpose of the smart box is to combine power and network signal into one cable so that you only need one cable in connection with the sign. This cable can enter the sign through holes in the cabinet as shown in the pictures below.

The below technical drawings also show:

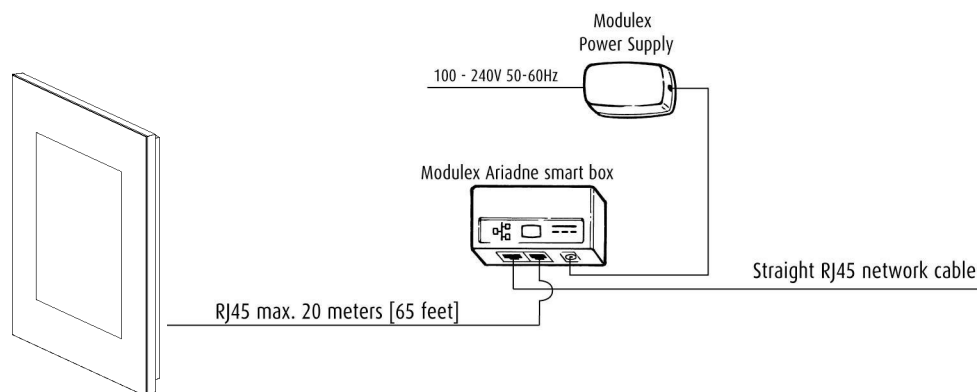
- Exact position of the inlet holes
- Length of cables measured from point of entrance (cable inlet) to the end of the cable/outlet



Length of cables:

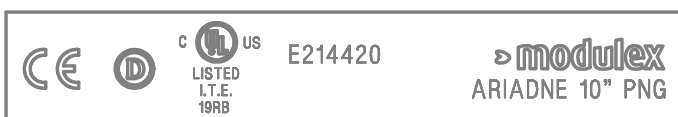
Cable inlet option	Flat front
1	25mm [1.0]
2	525mm [21.0]
3	25mm [1.0]

Wiring Diagram:



Electrical specifications:

Please see the "sign approval" label below



Ethernet cable specification (between network and smart box): Standard straight RJ45

Ethernet cable specification (between sign and smart box): Standard straight RJ45 max. 20m [65 ft.]

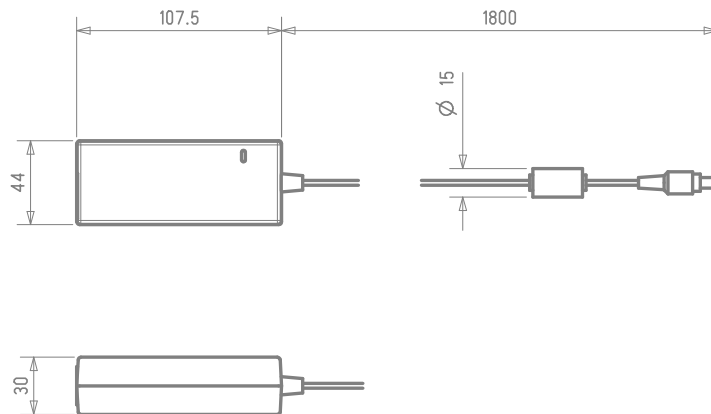
Ethernet pin configuration:

RJ45 straight: Use standard T568A in both ends OR standard T568B in both ends.

T568A pin colours: 1=white/green, 2=green, 3=white/orange, 4=blue, 5=white/blue, 6=orange, 7=white/brown, 8=brown

T568B pin colours: 1=white/orange, 2=orange, 3=white/green, 4=blue, 5=white/blue, 6=green, 7=white/brown, 8=brown

12V power supply and cable specification:



Power Supply is delivered with 1.8m cable. 2.5 m extension cable can be ordered separately. Max. 1 extension cable can be used. The temperature of the surroundings must not exceed 40 degrees Celsius and the heat dissipation conditions must not be bad.

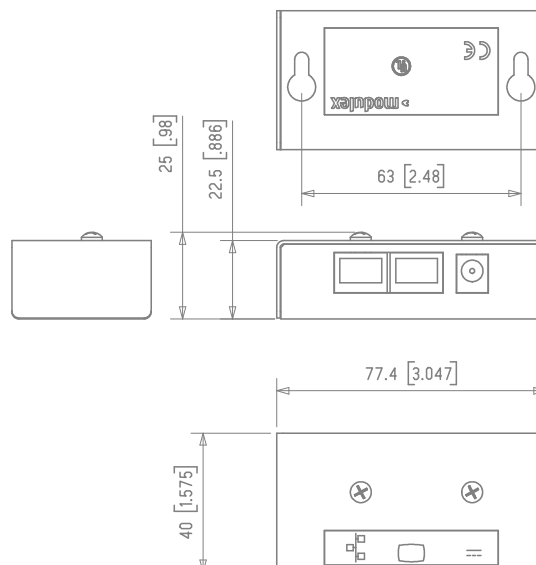
Weight: 0.3 kg. [0.7 lb]

Power cable:

Power Supply is delivered with power cable inclusive of plug.

Smart box:

Weight: 0.1 kg. [0.2 lb]



Mounting Details

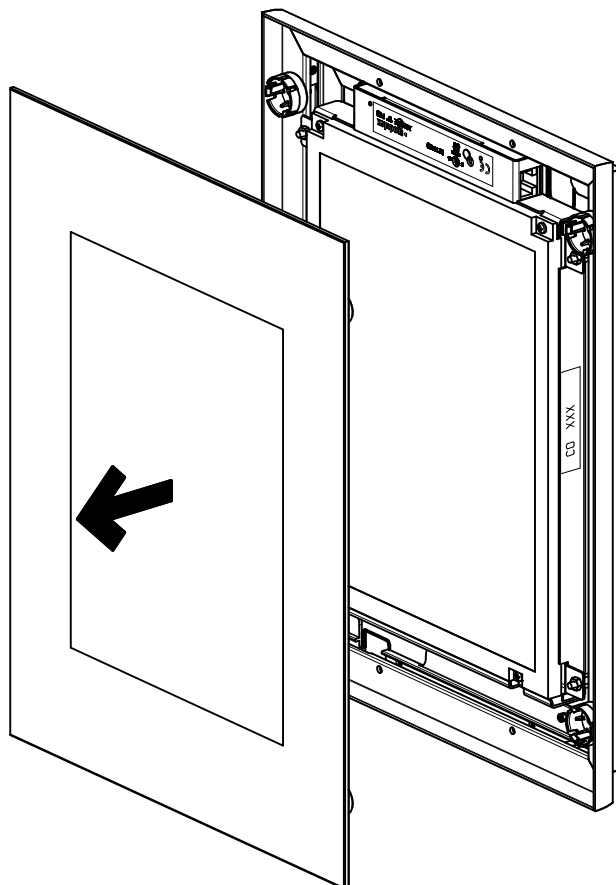
The cable must be pulled into the sign before fixing the sign to the wall.

Guideline for mounting height: Place top of display 1700mm [66.9in] above the floor.

Service and Maintenance

Dismounting:

Front glass are removed by pulling them perpendicular to the panel surface



Cleaning:

When necessary the construction must be dismantled and cleaned with a vacuum cleaner.

Painted surfaces: Use a soft cloth moistened with a mild window detergent.

Displays (polarizers): Use absorbent cotton or a soft cloth.

The desirable cleaners are water, IPA (Isopropyl Alcohol) or Hexane.

Do not use Ketone type materials (eg. Acetone), Ethyl alcohol, Toluene, Ethyl acid or Methyl chloride.

It might cause permanent damage to the polarizer due to chemical reaction.