

› **modulex**®

Leading the way



Ariadne

15" MM Ariadne Panel

Data Sheet

## General Information

The following pages show technical drawings of each sign variant, including electrical specifications and optional building into wall. At the end of the document the wiring details, weight, mounting details as well as service and maintenance are described.

15" Ariadne panel can only be used in combination with an Ariadne application running on [www.m-sign.ariadne.info](http://www.m-sign.ariadne.info) or an application installed on a local server. The panel updates the information displayed by automatically calling the application. This process is identical with a standard web access from an Internet browser and the protocol used is standard HTTP.

Throughout this document measurements will be given in both millimetres and inches. The metric measurements are exact whereas the English standard is calculated and therefore shown in brackets: 25.4 [1.00]

## 15" Ariadne Panel Version

The 15" Ariadne panel exists in a flat version. It is available as wall sign and monolith.

### Wall sign

This version can only be delivered with a glass front without static panels.

### Monolith

The flat Monolith is available in one standard height. The flat version has fixed panel configuration.

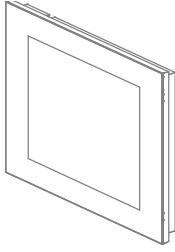
- The height and position of the display is fixed

## Contents:

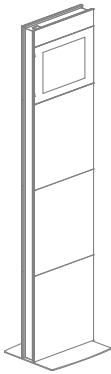
General Information.....	2
15" Ariadne Panel Version .....	2
Sign Types within the Ariadne 15" MM Assortment.....	3
Ariadne Flat Front.....	4
Ariadne Flat Front Monolith.....	5
Wiring Details for 15" Wall Sign .....	6
Wiring Details for 15" Monolith.....	10
Weight of Components.....	11
Mounting Details.....	12
Service and Maintenance.....	12

---

## Sign Types within the Ariadne 15" MM Assortment

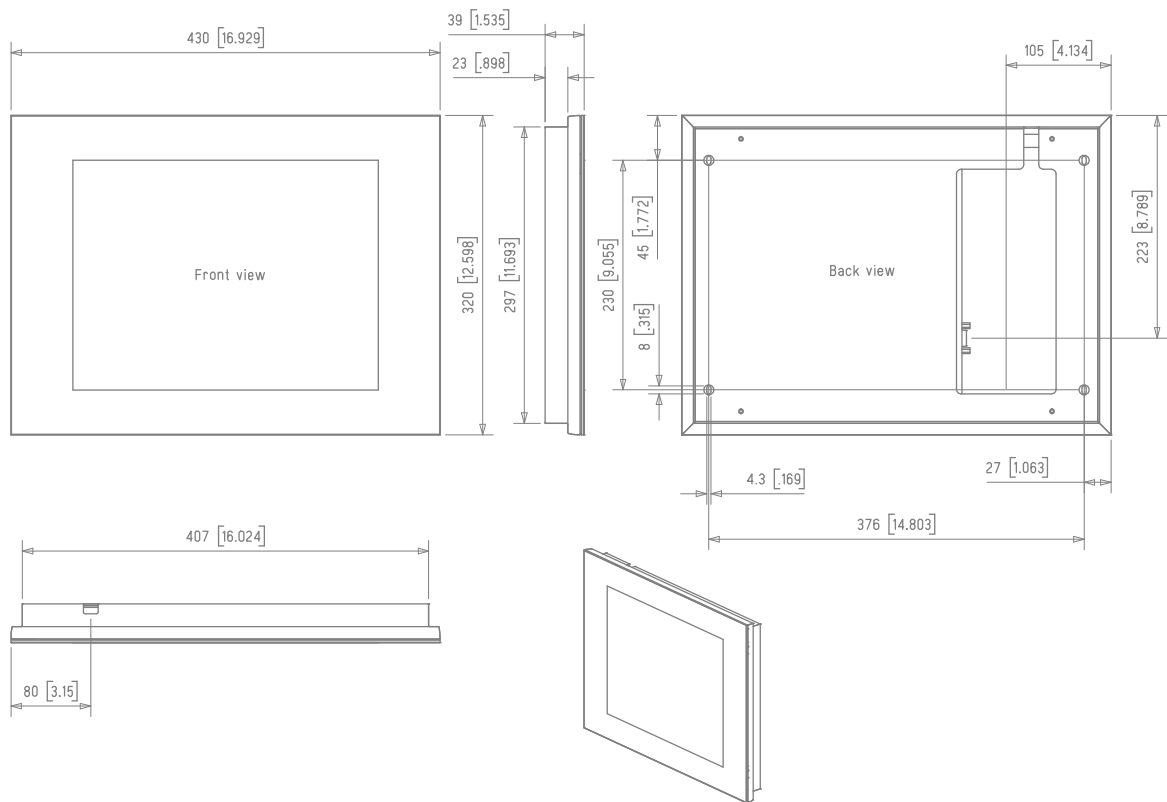


15" flat front  
Drawing page 4  
Wiring page 6

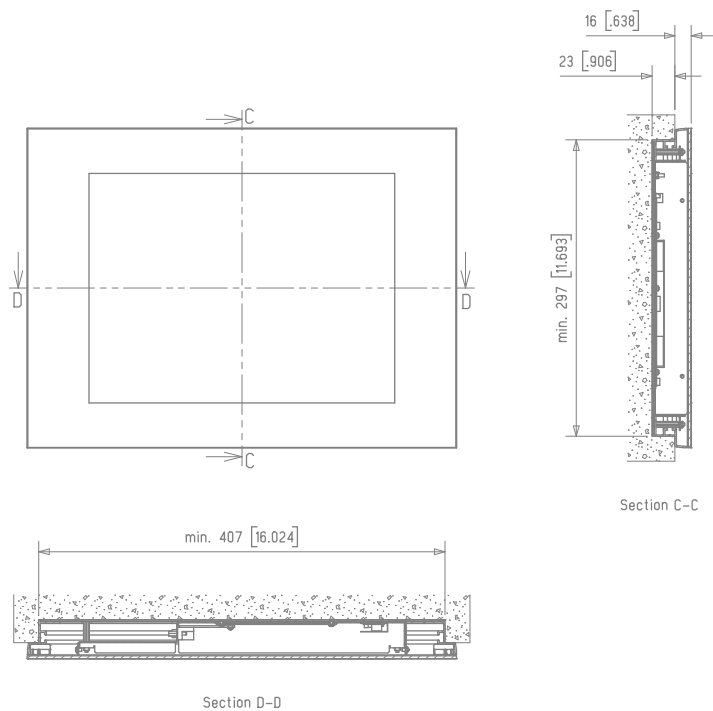


15" flat front monolith  
Drawing page 5  
Wiring page 10

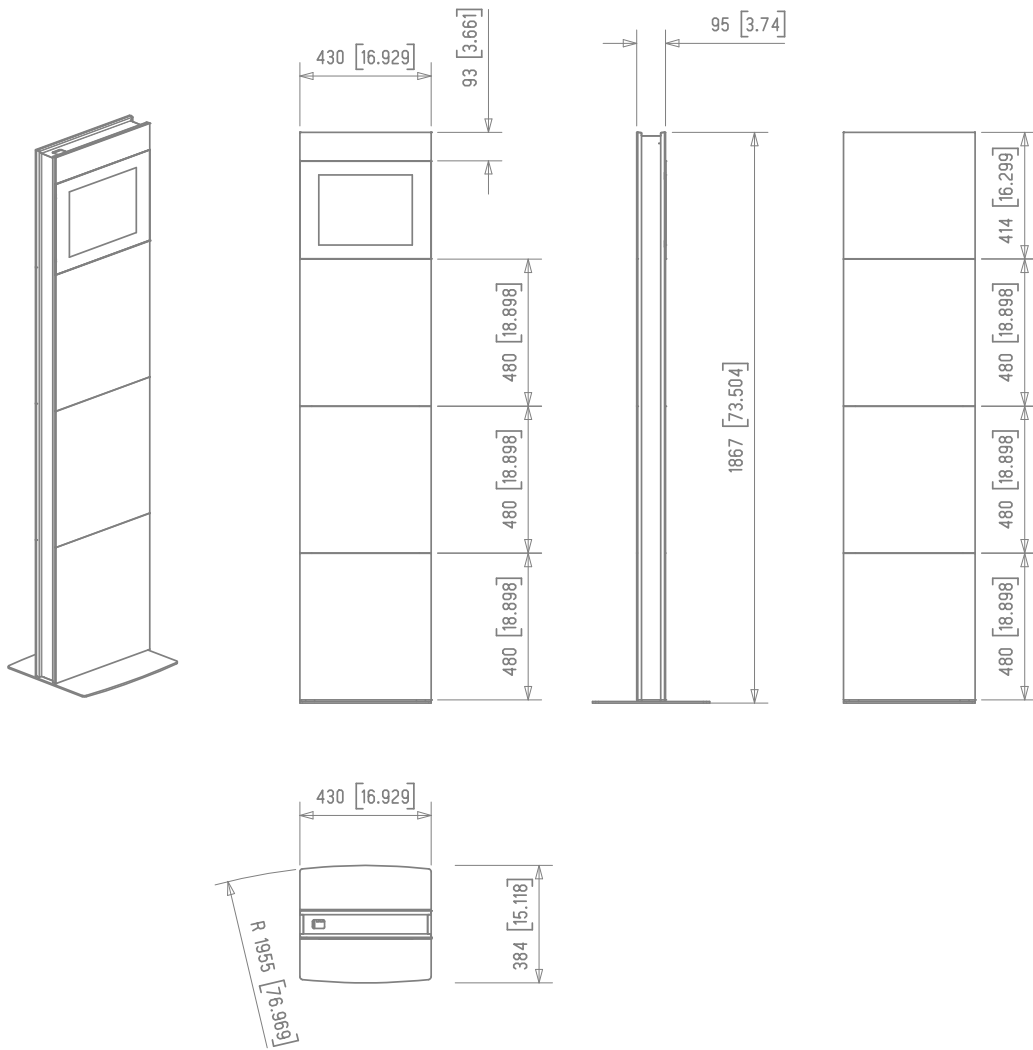
## Ariadne Flat Front



Built into wall (option - no extra parts needed):



## Ariadne Flat Front Monolith

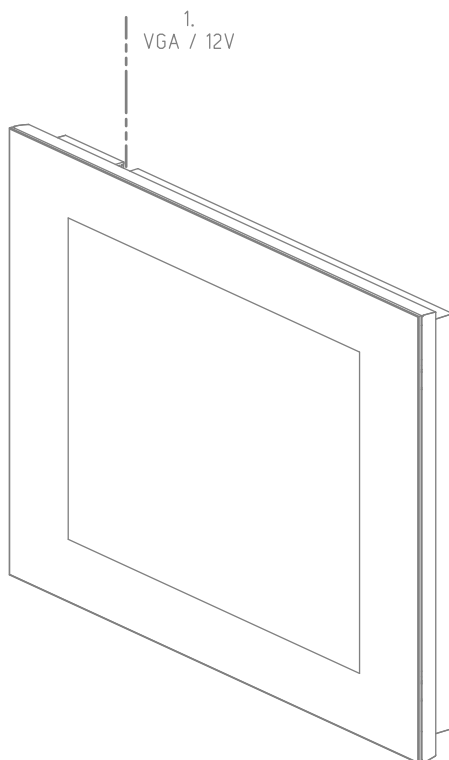


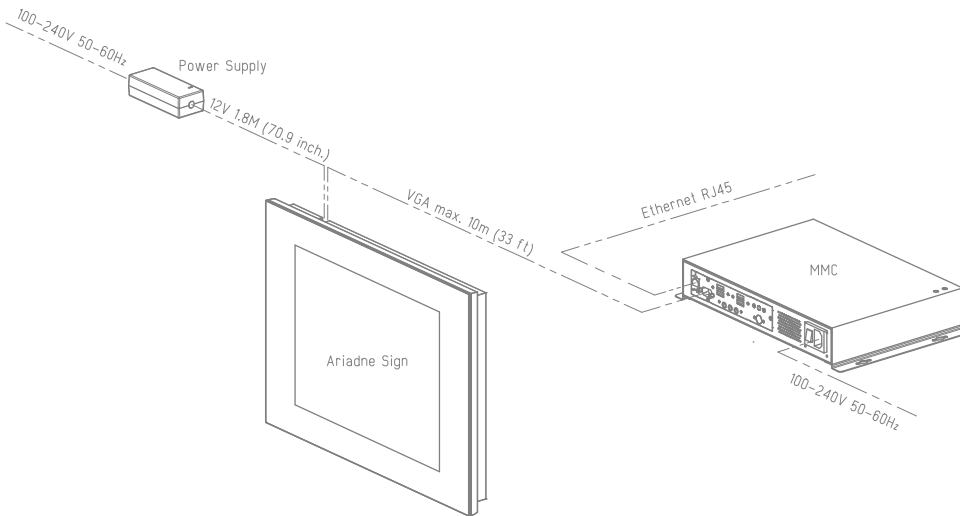
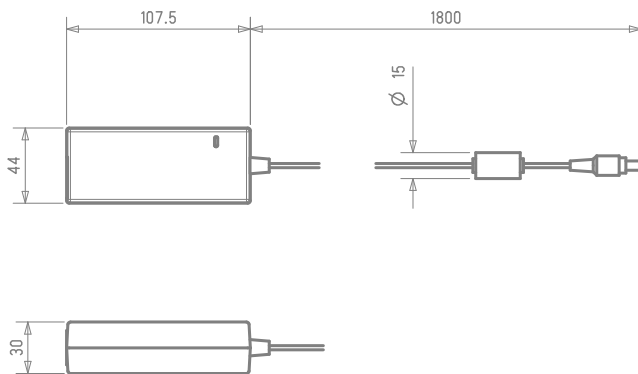
## Wiring Details for 15" Wall Sign

The Multimedia controller (MMC) and the power supply are placed outside the sign. The VGA and 12V power cables can enter the sign through holes in the cabinet as shown in the pictures below.

The below technical drawings also show:

- Exact position of the inlet holes
- Length of cables measured from point of entrance (cable inlet) to the end of the cable/outlet inlet 1 - 310mm [12.20]



*Wiring diagram:**12V power supply and cable specification:*

Power Supply is delivered with 1.8m cable. 2.5m extension cable can be ordered separately. Max. 1 extension cable can be used. The temperature of the surroundings must not exceed 40 degrees Celsius and the heat dissipation must not be bad.

The Power Supply is available in European and American version. To be ordered separately.

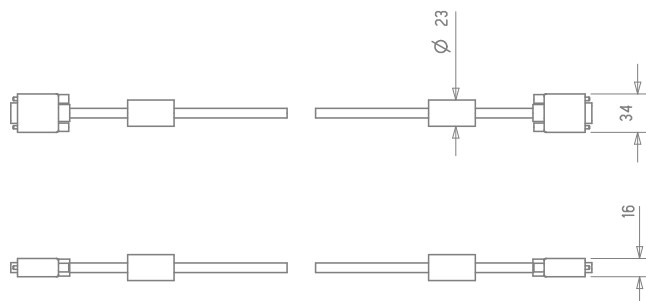
*Power cable:*

The power supply is delivered with power cable inclusive of plug.

*VGA cable specification:*

Standard, purchased VGA cable (with or without ferrite core).

The quality of the VGA input is deteriorated the longer the cable is. Depending on the cable quality and the local building layout it will normally be acceptable to use a 10m cable.



Connectors: Either

- Factory-made VGA connectors in both ends (according to requirements) or
- VGA plug that is crimped onto the VGA cable on location (to be used where the factory-made VGA plug is too large to be installed in the building).

Pin #	15-Pin D	15-Pin D	Colour - Supplier dependent
---	Name	Description	
1	RED Video	Red Video	Red Coax
2	GREEN Video	Green Video	Green Coax
3	BLUE Video	Blue Video	Blue Coax
4	ID2	Monitor ID, Bit #2	Black
5	GND	Ground	Brown
6	RGND	Red Ground	Red Ground
7	GGND	Green Ground	Green Ground
8	BGND	Blue Ground	Blue Ground
9	Key	No pin installed	-
10	SGND	Sync Ground	Red
11	ID0	Monitor ID Bit #0	Orange
12	ID1	Monitor ID Bit #1	Yellow
13	HSYNC	Horizontal Sync	Green
14	VSYNC	Vertical Sync	Blue
15	ID3	Monitor ID Bit#3	Violet

*Power cable for MMC:*

Available in European and American version. MMC is delivered with power cable.

*Ethernet cable specification:*

Standard straight RJ45.

*Ethernet pin configuration:*

RJ45 straight: Use standard T568A in both ends OR standard T568B in both ends.

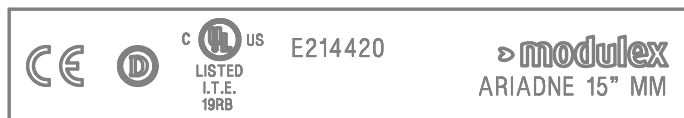
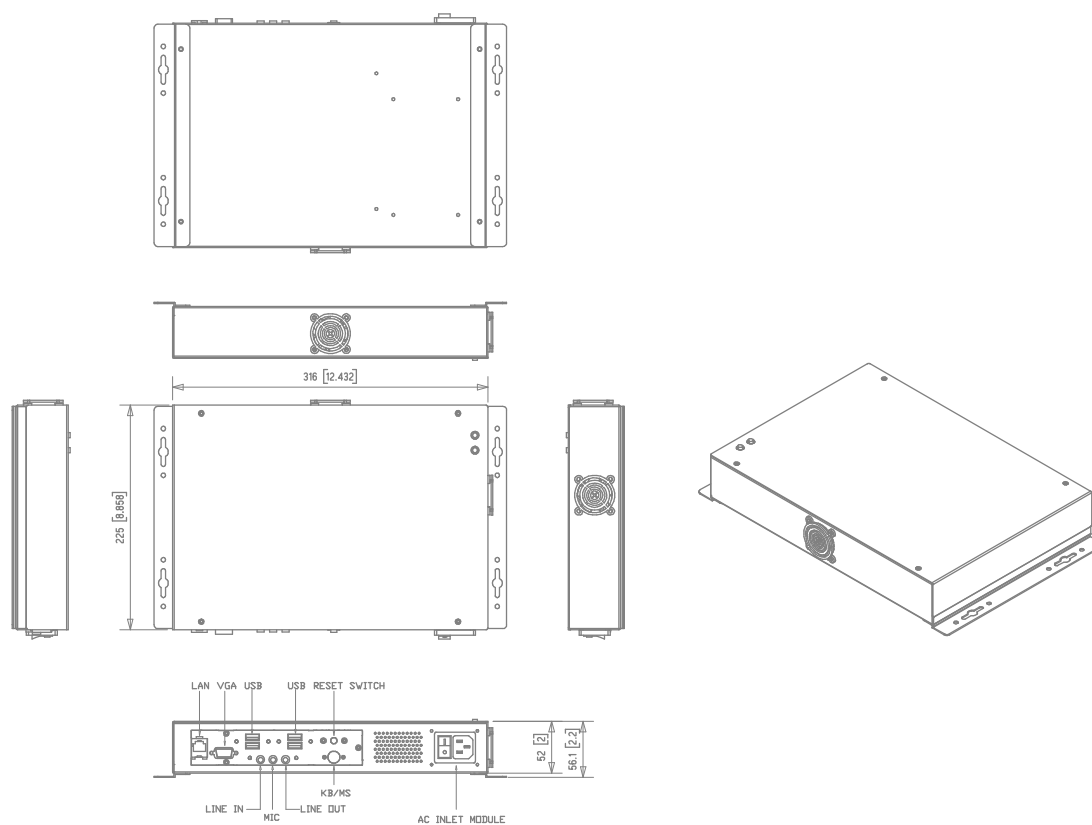
T568A pin colours: 1=white/green, 2=green, 3=white/orange, 4=blue, 5=white/blue, 6=orange, 7=white/brown, 8=brown.

T568B pin colours: 1=white/orange, 2=orange, 3=white/green, 4=blue, 5=white/blue, 6=green, 7=white/brown, 8=brown.



*Electrical specifications:*

Please see the “sign approval” label below

*Multimedia controller (MMC):*

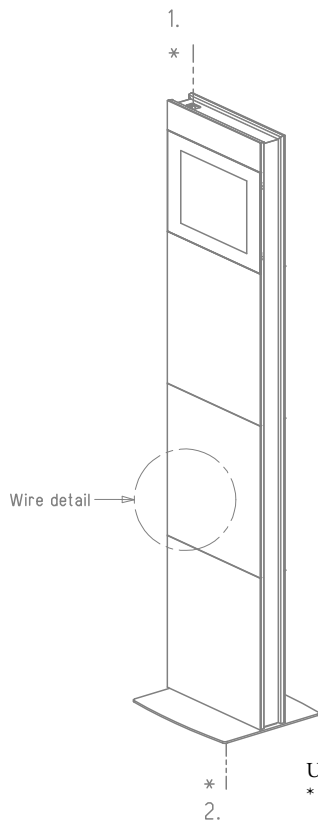
The MMC must be placed at a reasonably accessible place max. 10m from the sign.

## Wiring Details for 15" Monolith

The monolith is different from the wall signs because it has the Multimedia Controller (MMC) mounted inside. This means that the monolith must be connected to power and network. The network and power cables can enter the sign through the holes in the cabinet as shown in the pictures below.

The above technical drawings also show:

- Exact position of the inlet holes - see drawings page 4-11
- Length of cables measured from point of entrance (cable inlet) to the end of the cable/outlet



US regulation:

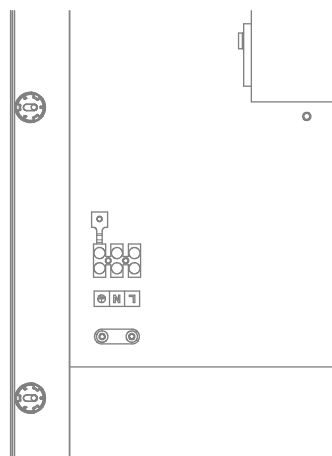
\* Power: 120-230V, 50-60Hz, AWG14. An appropriate disconnect device shall be a part of the building installation.

Ethernet: RJ45

### Length of cables:

Cable inlet option	RJ45	230/110V
1	1000mm [39.37]	1400mm [55.12]
2	1100mm [43.31]	600mm [23.62]

### *Wire detail:*



»Modulex reserve the right to make changes without prior notice«

*Electrical specifications:*

Please see the “sign approval” label below

*Ethernet cable specification:*

Standard straight RJ45

*Ethernet pin configuration:*

RJ45 straight: Use standard T568A in both ends OR standard T568B in both ends.

T568A pin colours: 1=white/green, 2=green, 3=white/orange, 4=blue, 5=white/blue, 6=orange, 7=white/brown, 8=brown.

T568B pin colours: 1=white/orange, 2=orange, 3=white/green, 4=blue, 5=white/blue, 6=green, 7=white/brown, 8=brown

## Weight of Components

Power supply:	0.3 kg	0.7 lb
Multimedia controller:	3.1 kg	6.8 lb
Sign weight (excl. smart box and power supply):		
Flat wall: 15" MM	3.5 kg	7.7 lb
Flat monolith: 15" MM	32.6 kg	71.9 lb

## Mounting Details

### Wall signs:

The cable must be pulled into the sign before fixing the sign to the wall.

Guideline for mounting height: Place top of display 1700mm [66.9in] above the floor.

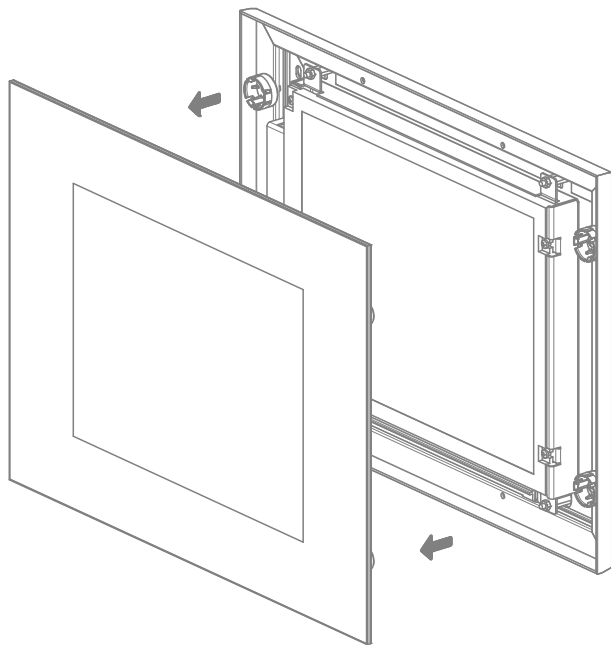
### Monoliths:

In order to comply with approvals the monolith must be fixed to the floor to prevent the monolith from tipping over.

## Service and Maintenance

### *Dismounting:*

Panels and flat glass are removed by pulling them perpendicular to the panel surface



### *Cleaning:*

When necessary the construction must be dismantled and cleaned with a vacuum cleaner.

Painted surfaces: Use a soft cloth moistened with a mild window detergent.

Displays (polarizers): Use absorbent cotton or a soft cloth.

The desirable cleaners are water, IPA (Isopropyl Alcohol) or Hexane.

Do not use Ketone type materials (eg. Acetone), Ethyl alcohol, Toluene, Ethyl acid or Methyl chloride. It might cause permanent damage to the polarizer due to chemical reaction.