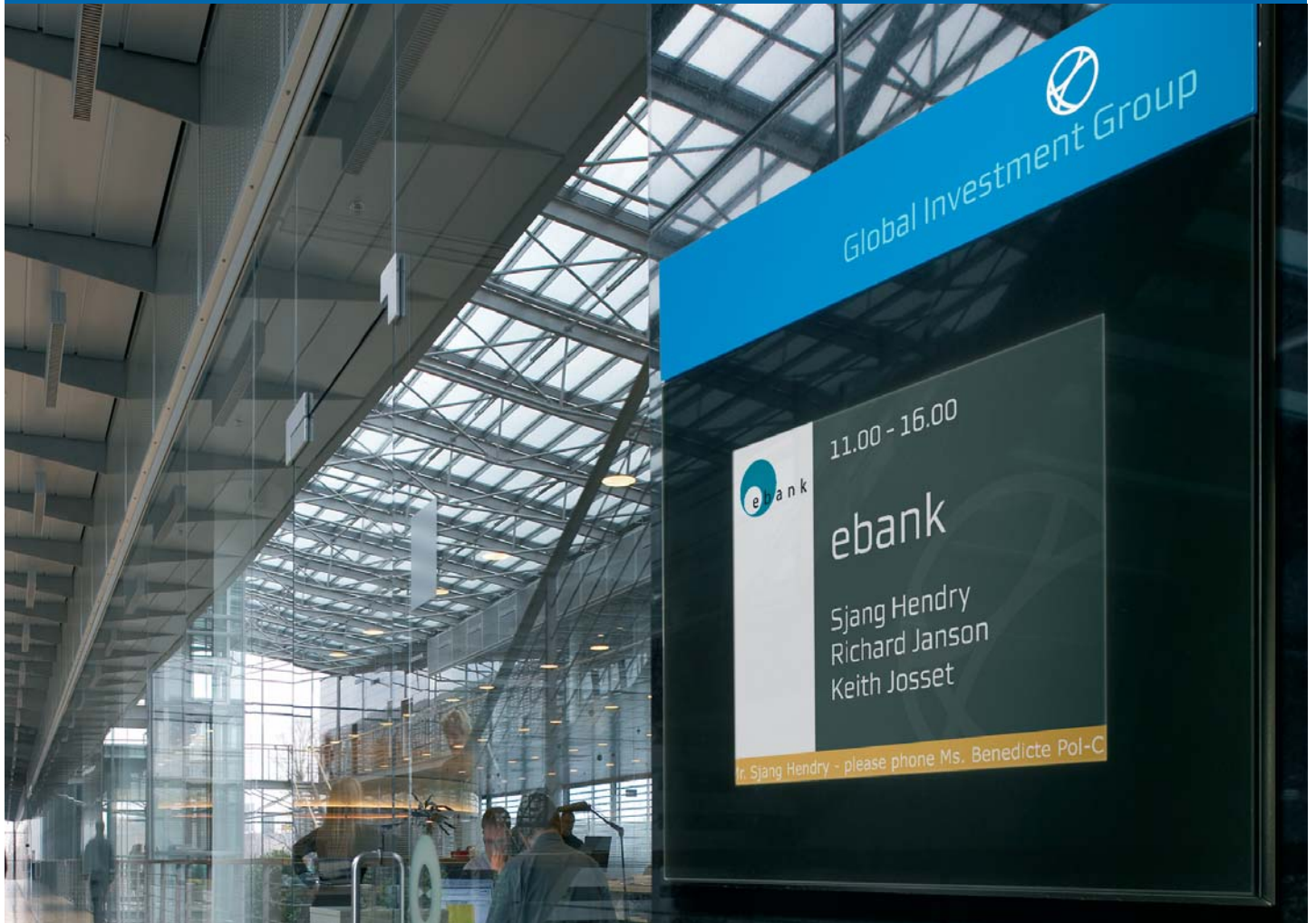


› **modulex**®

Leading the way



Ariadne

15" PNG Ariadne Panel

Data Sheet

General Information

The following pages show technical drawings of each sign variant, including electrical specification and optional building into wall. At the end of the document the wiring details, weight, mounting details as well as service and maintenance are described.

15" Ariadne panel can only be used in combination with an Ariadne application running on www.m-sign.ariadne.info or an application installed on a local server. The panel updates the information displayed by automatically calling the application. This process is identical with a standard web access from an Internet browser and the protocol used is standard HTTP.

Throughout this document measurements will be given in both millimetres and inches. The metric measurements are exact whereas the English standard is calculated and therefore shown in brackets:

25.4 [1.00]

15" Ariadne Panel Version

The 15" Ariadne panel exists in a flat version. It is available as wall sign and monolith.

Wall sign

Can be configured with and without static panels above and below the panel.

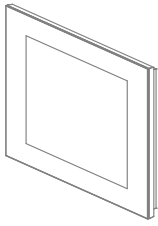
Monolith

Is available in one standard height. With fixed panel configuration.

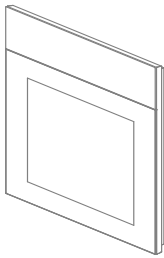
Contents:

| | |
|---|----|
| General Information..... | 2 |
| 15" Ariadne Panel Version | 2 |
| Sign Types within the Ariadne 15" PNG Assortment..... | 3 |
| Ariadne Flat Front..... | 4 |
| Ariadne Flat Front with Top Panel..... | 5 |
| Ariadne Flat Front with Top and Bottom Panel | 6 |
| Ariadne Flat Front Monolith..... | 7 |
| Wiring Details for 15" Wall Sign | 8 |
| Wiring Details for 15" Monolith..... | 10 |
| Weight of Components..... | 11 |
| Mounting Details..... | 12 |
| Service and Maintenance | 12 |

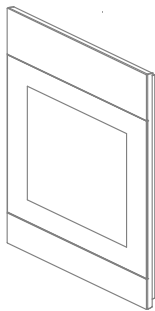
Sign Types within the Ariadne 15" PNG Assortment



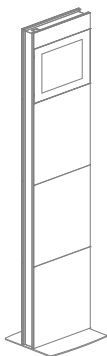
15" flat front
Drawing page 4
Wiring page 12



15" flat front with top panel
Drawing page 6
Wiring page 12

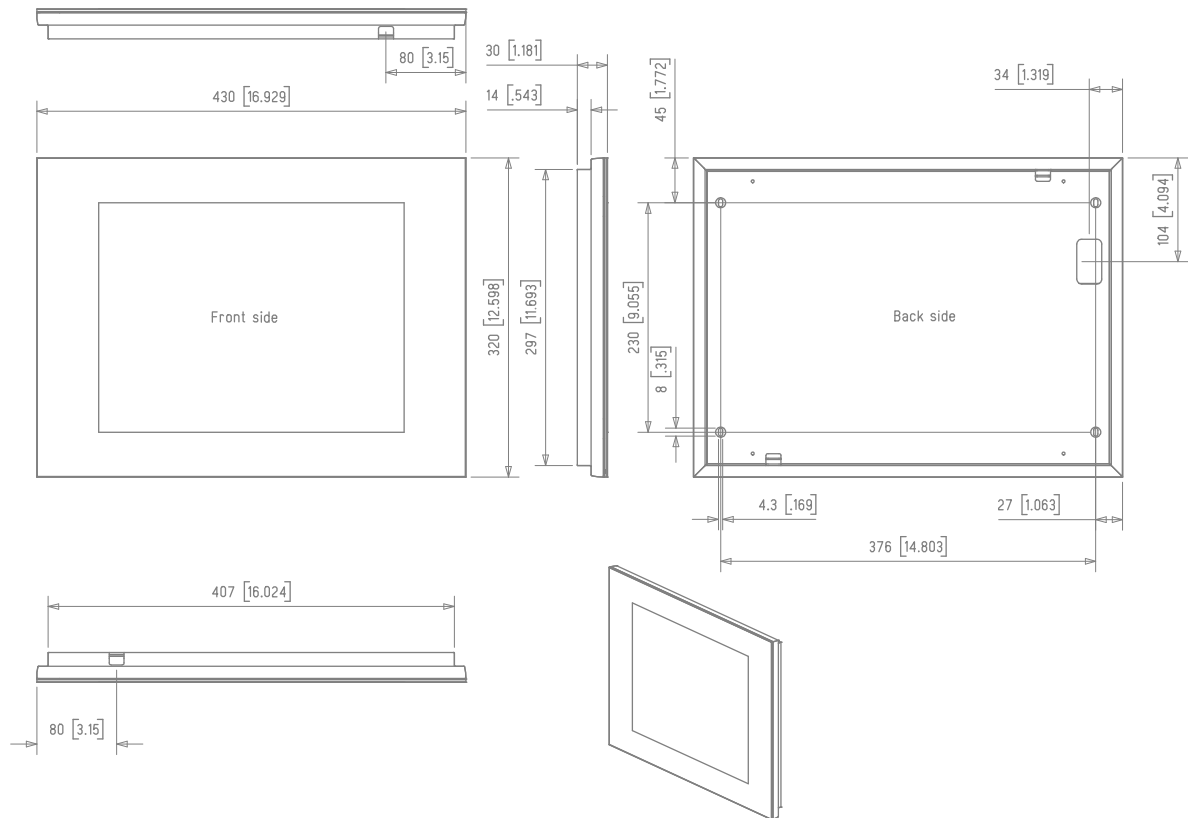


15" flat front with top/bottom panel
Drawing page 8
Wiring page 12

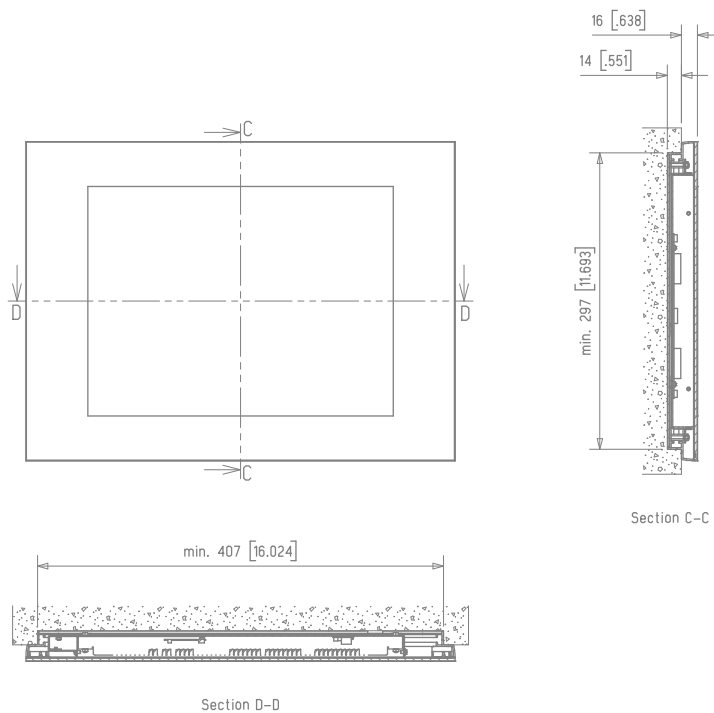


15" flat front monolith
Drawing page 10
Wiring page 16

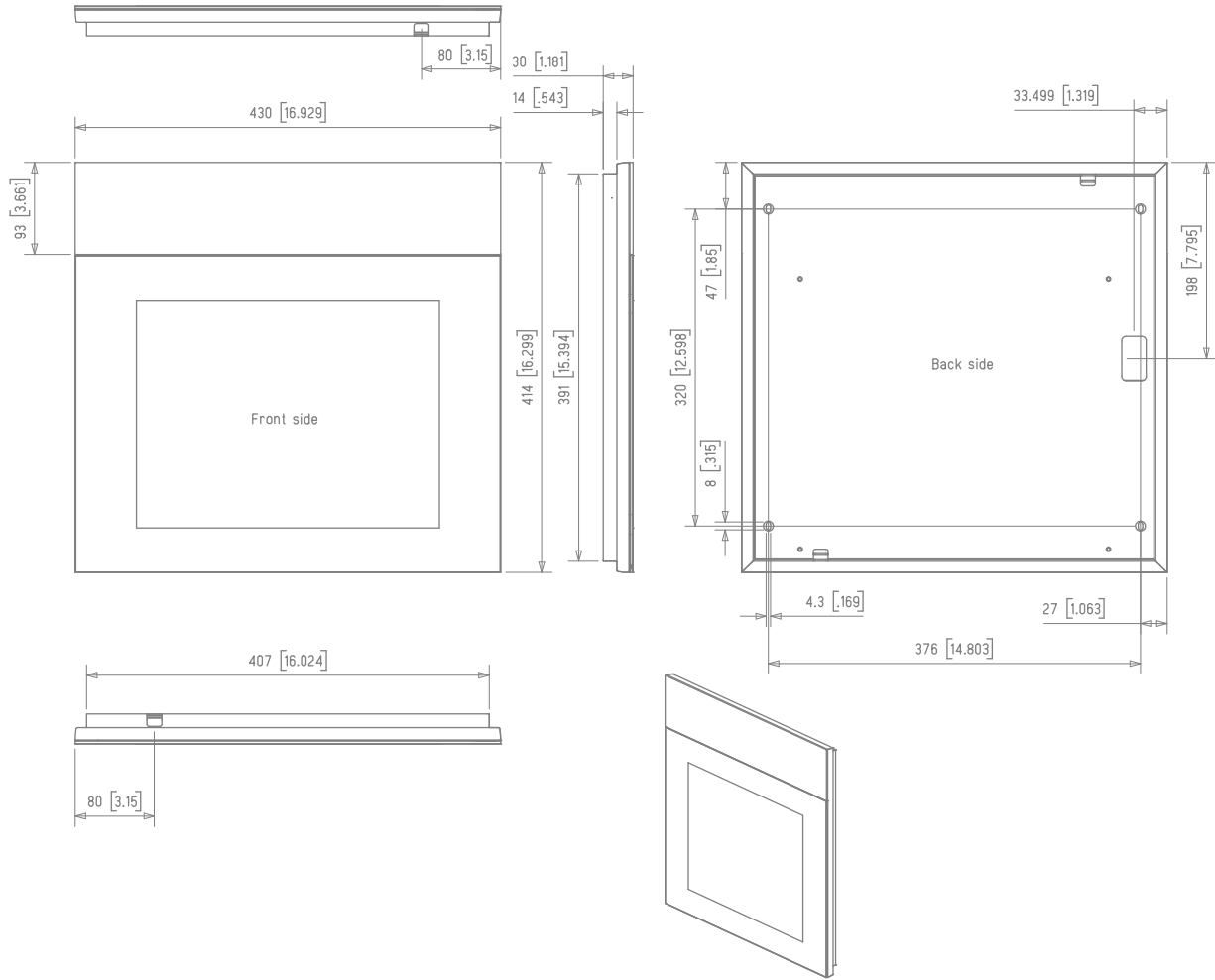
Ariadne Flat Front



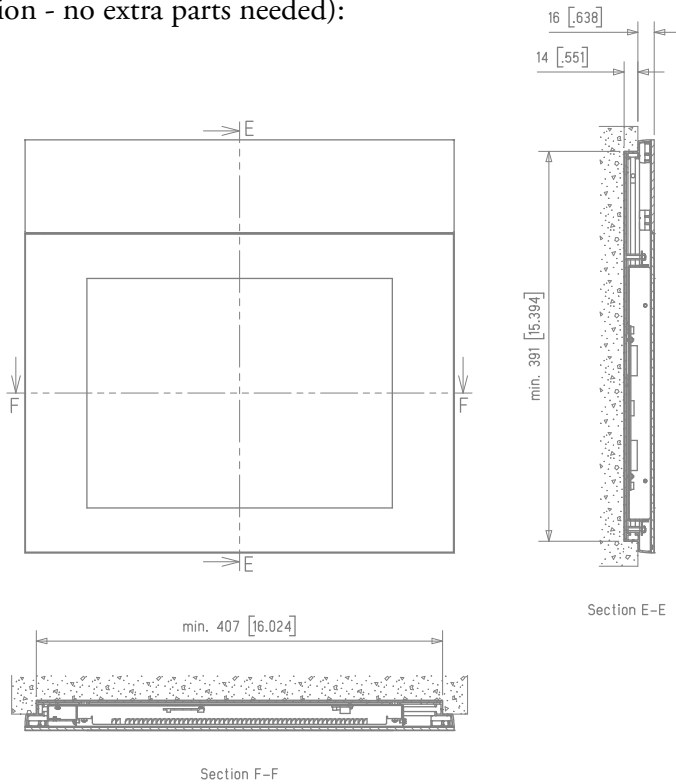
Built into wall (option - no extra parts needed):



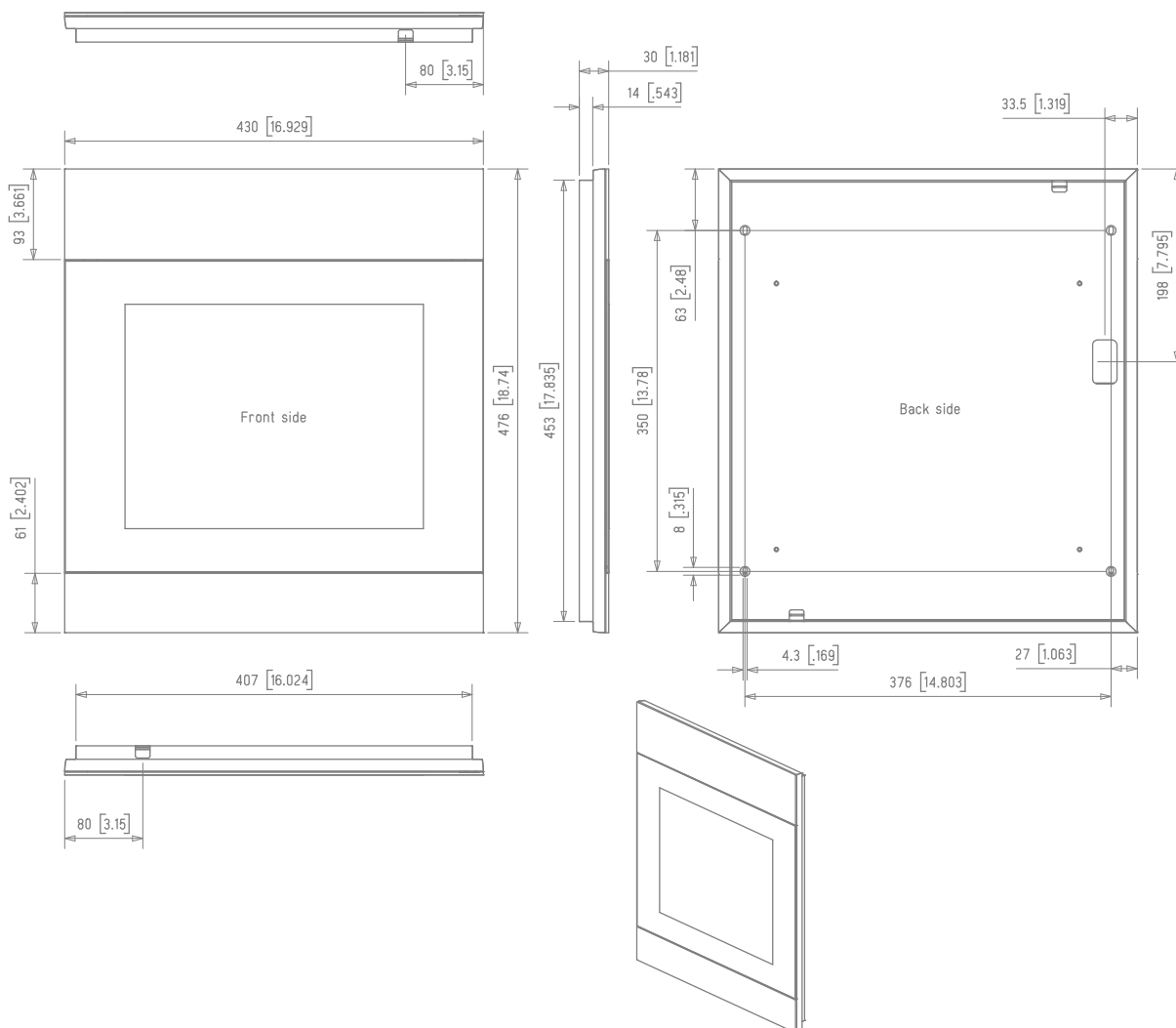
Ariadne Flat Front with Top Panel



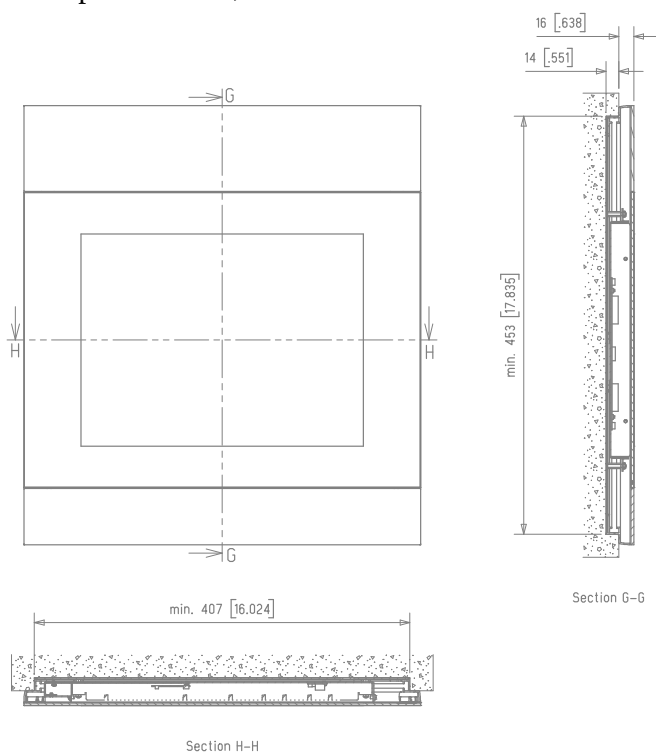
Built into wall (option - no extra parts needed):



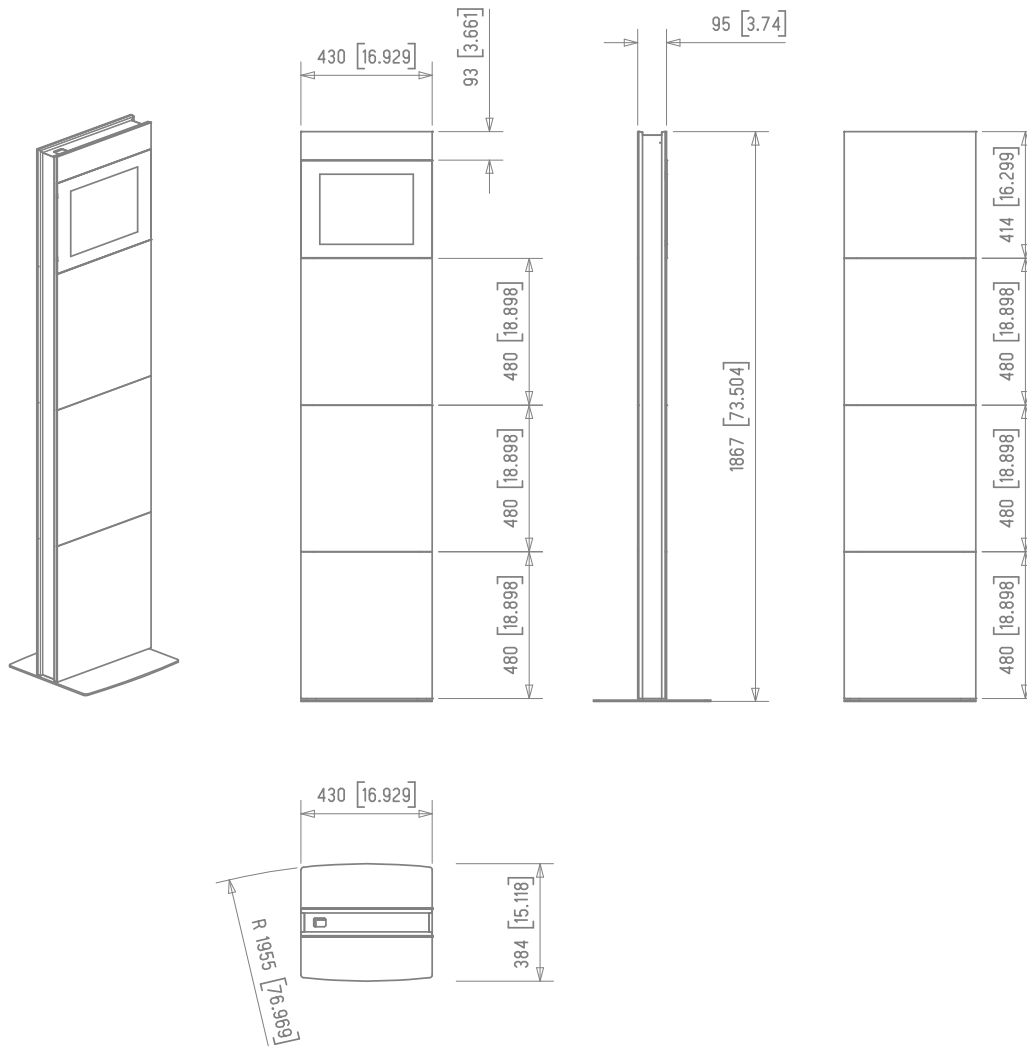
Ariadne Flat Front with Top and Bottom Panel



Built into wall (option - no extra parts needed):



Ariadne Flat Front Monolith

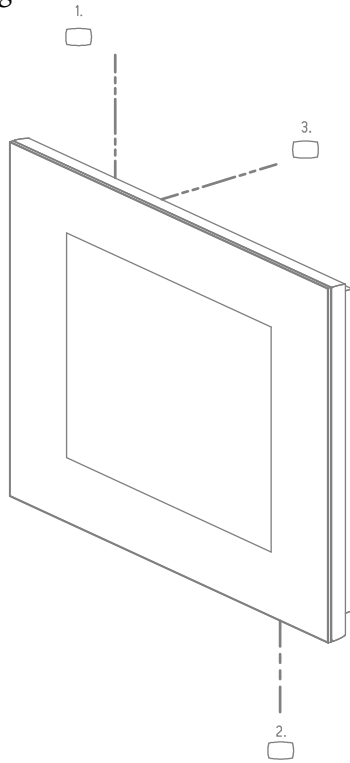


Wiring Details for 15" Wall Sign

The power supply and the smart box are placed outside the sign. The purpose of the smart box is to combine power and network signal into one cable so that you only need one cable in connection with the sign. This cable can enter the sign through holes in the cabinet as shown in the pictures below.

The below technical drawings also show:

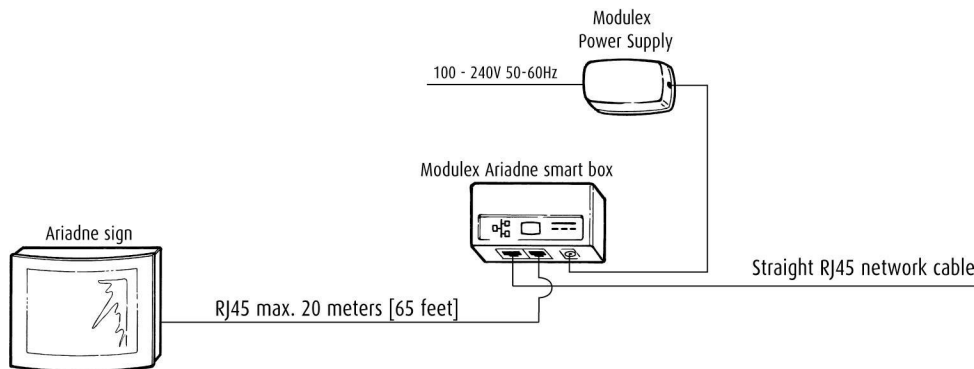
- Exact position of the inlet holes
- Length of cables measured from point of entrance (cable inlet) to the end of the cable/outlet



Length of cables:

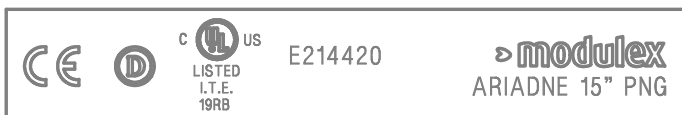
| Cable inlet Option | Flat front | Flat front w. top panel | Flat front w. top/bottom panel |
|--------------------|---------------|-------------------------|--------------------------------|
| 1 | 175mm [6.89] | 270mm [10.63] | 270mm [10.63] |
| 2 | 815mm [32.09] | 815mm [32.09] | 880mm [34.65] |
| 3 | 25mm [0.98] | 25mm [0.98] | 25mm [0.98] |

Wiring Diagram:



Electrical specifications:

Please see the “sign approval” label below



Ethernet cable specification (between network and smart box):

Standard straight RJ45

Ethernet cable specification (between sign and smart box):

Standard straight RJ45 max. 20m [65 ft.]

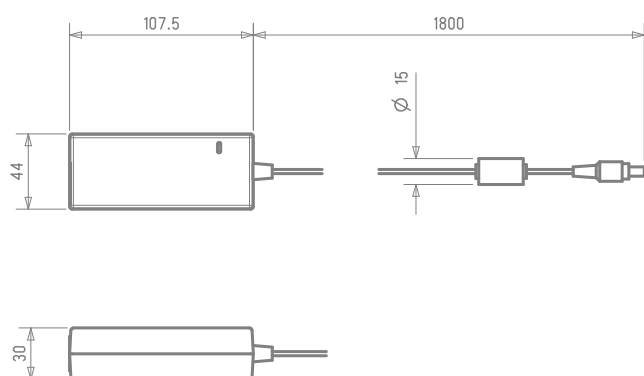
Ethernet pin configuration:

RJ45 straight: Use standard T568A in both ends OR standard T568B in both ends.

T568A pin colours: 1=white/green, 2=green, 3=white/orange, 4=blue, 5=white/blue, 6=orange, 7=white/brown, 8=brown

T568B pin colours: 1=white/orange, 2=orange, 3=white/green, 4=blue, 5=white/blue, 6=green, 7=white/brown, 8=brown

12V power supply and cable specification:



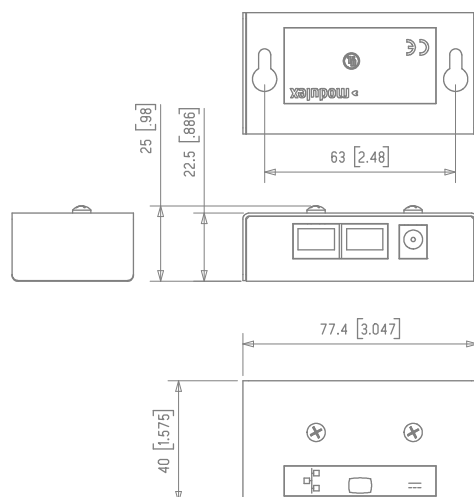
Power Supply is delivered with 1.8m cable. 2.5m extension cable can be ordered separately. Max. 1 extension cable can be used. The temperature of the surroundings must not exceed 40 degrees Celsius and the heat dissipation conditions must not be bad.

The power supply is available in European and American version. To be ordered separately.

Power cable:

Power Supply is delivered with power cable inclusive of plug.

Smart box:

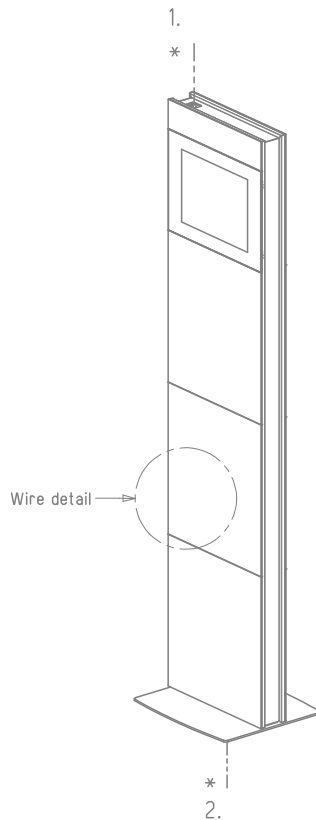


Wiring Details for 15" Monolith

The Ariadne monolith is different from the Ariadne wall signs, because it has the power supply and smart box mounted inside. This means that the monolith must be connected to power and network. The network and power cables can enter the sign through the holes in the cabinet as shown in the pictures below.

The below technical drawings also show:

- Exact position of the inlet holes
- Length of cables measured from point of entrance (cable inlet) to the end of the cable/outlet

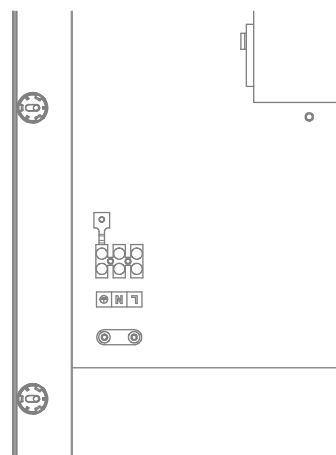


US regulation:
 * Power: 120-230V, 50-60Hz, AWG14. An appropriate disconnect device shall be a part of the building installation.
 Ethernet: RJ45

Length of cables:

| Cable inlet option | RJ45 | 230/110V |
|--------------------|----------------|----------------|
| 1 | 1000mm [39.37] | 1400mm [55.12] |
| 2 | 1100mm [43.31] | 600mm [23.62] |

Wire detail:



Electrical specification:

Please see the “sign approval” label below

*Ethernet cable specification:*

Standard straight RJ45

Ethernet pin configuration:

RJ45 straight: Use standard T568A in both ends OR standard T568B in both ends.

T568A pin colours: 1=white/green, 2=green, 3=white/orange, 4=blue, 5=white/blue, 6=orange, 7=white/brown, 8=brown.

T568B pin colours: 1=white/orange, 2=orange, 3=white/green, 4=blue, 5=white/blue, 6=green, 7=white/brown, 8=brown

For information about power supply, smart box and smart hub, please see under “Wiring Details for 15” Wall Sign”.

Weight of Components

| | | |
|---------------|--------|--------|
| Smart box: | 0.1 kg | 0.2 lb |
| Power supply: | 0.3 kg | 0.7 lb |

Sign weight (excl. smart box and power supply):

Flat wall:

| | | |
|--|--------|---------|
| 15” PNG | 3.8 kg | 8.3 lb |
| 15” PNG flat front w. top panel | 4.3 kg | 9.5 lb |
| 15” PNG flat front with top/bottom panel | 4.6 kg | 10.2 lb |

Flat monolith:

| | | |
|---------|---------|---------|
| 15” PNG | 29.9 kg | 65.9 lb |
|---------|---------|---------|

Mounting Details

Wall signs:

The cable must be pulled into the sign before fixing the sign to the wall.

Guideline for mounting height: Place top of display 1700mm [66.9in] above the floor.

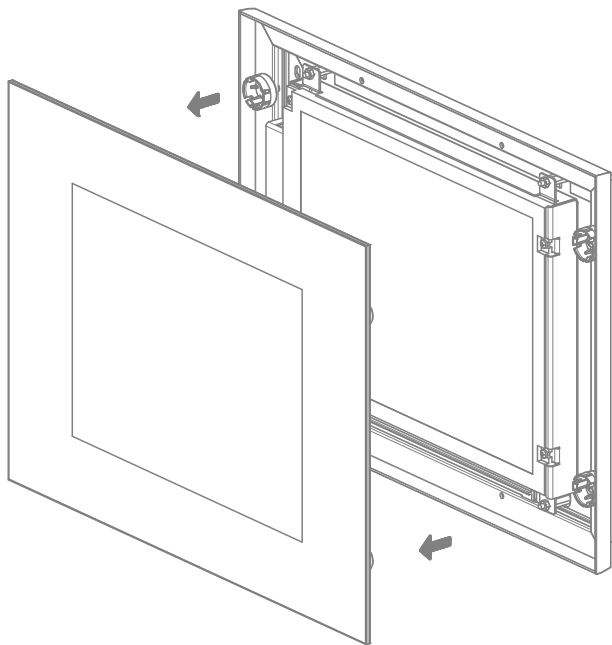
Monoliths:

In order to comply with approvals the monolith must be fixed to the floor to prevent the monolith from tipping over.

Service and Maintenance

Dismounting:

Panels and flat glass are removed by pulling them perpendicular to the panel surface



Cleaning:

When necessary the construction must be dismantled and cleaned with a vacuum cleaner.

Painted surfaces: Use a soft cloth moistened with a mild window detergent.

Displays (polarizers): Use absorbent cotton or a soft cloth.

The desirable cleaners are water, IPA (Isopropyl Alcohol) or Hexane.

Do not use Ketone type materials (eg. Acetone), Ethyl alcohol, Toluene, Ethyl acid or Methyl chloride. It might cause permanent damage to the polarizer due to chemical reaction.