

► **modulex**®

Leading the way



Thomson Ltd
Marketing Meeting, 9:00 - 10:00 →

Fun House
Sales Meeting, 9:00 - 10:00 ←

Brand Interprice Ltd.
Marketing Meeting, 9:00 - 11:00 →

TopTech Ltd.
Sales Exhibitor, 9:30 - 11:00 →

The Attorney Group
Management Meeting, 10:00 - 11:00 ←

Sunpower
Sales Meeting, 10:00 - 11:00 ←

West Finance
Training, 11:00 - 11:00 →

DLB
Board Meeting, 12:00 - 12:00 ←

John and John
Seminar, 12:30 - 20:00 ←

Visit La CORTE
a unique breakfast
and a great way
to start the day!

lunched ultimo September 2008

Ariadne

40" MM Ariadne Sign

Data Sheet

General Information

The following pages show technical drawings of each sign variant, including electrical specifications and optional building into wall. At the end of the document the wiring details, weight, mounting details as well as service and maintenance are described.

40" Ariadne panel can only be used in combination with an Ariadne application running on www.m-sign.ariadne.info or an application installed on a local server. The panel updates the information displayed by automatically calling the application. This process is identical with a standard web access from an Internet browser and the protocol used is standard HTTP.

Throughout this document measurements will be given in both millimetres and inches. The metric measurements are exact whereas the English standard is calculated and therefore shown in brackets: 25.4 [1.00].

40" Ariadne Panel Version

The 40" Ariadne sign is available as wall mounted and wall integrated sign in portrait and landscape and monolith in portrait. The wall integrated version are mounted in a sleeve which should be ordered separately and can be integrated in the wall before the delivery of the sign. The sleeve secure that no extended temperature will occur in the screen.

Wall sign

The Wall sign version have fixed panel configuration.

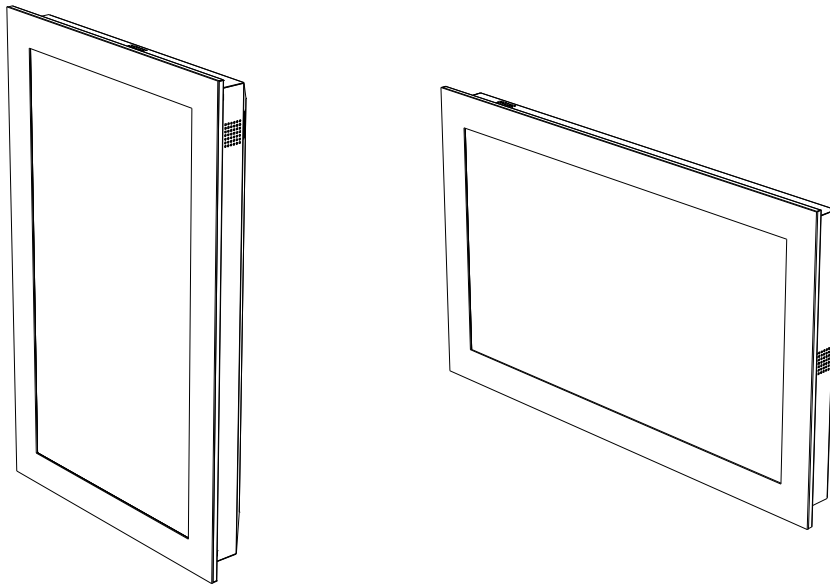
Monolith

The Monolith is available in one standard height with fixed panel configuration.

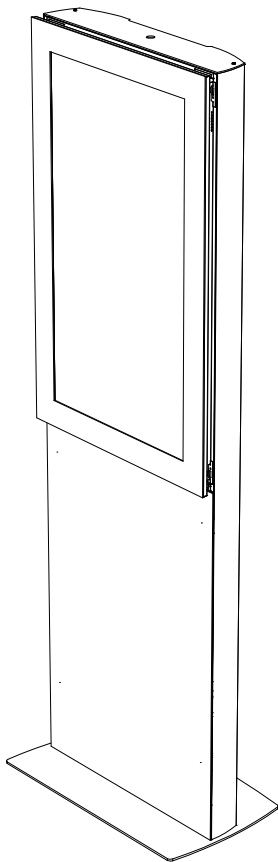
- The height and position of the display is fixed.

Contents:

General Information.....	2
40" Ariadne Panel Version	2
Sign Types within the Ariadne 40" MM Assortment.....	3
Ariadne Flat Front Portrait / Landscape	4
Ariadne Flat Front Monolith.....	5
Wiring Details for 40" Wall Sign	6
Wiring Details for 40" Monolith.....	8
Mounting Details.....	10
Service and Maintenance.....	10

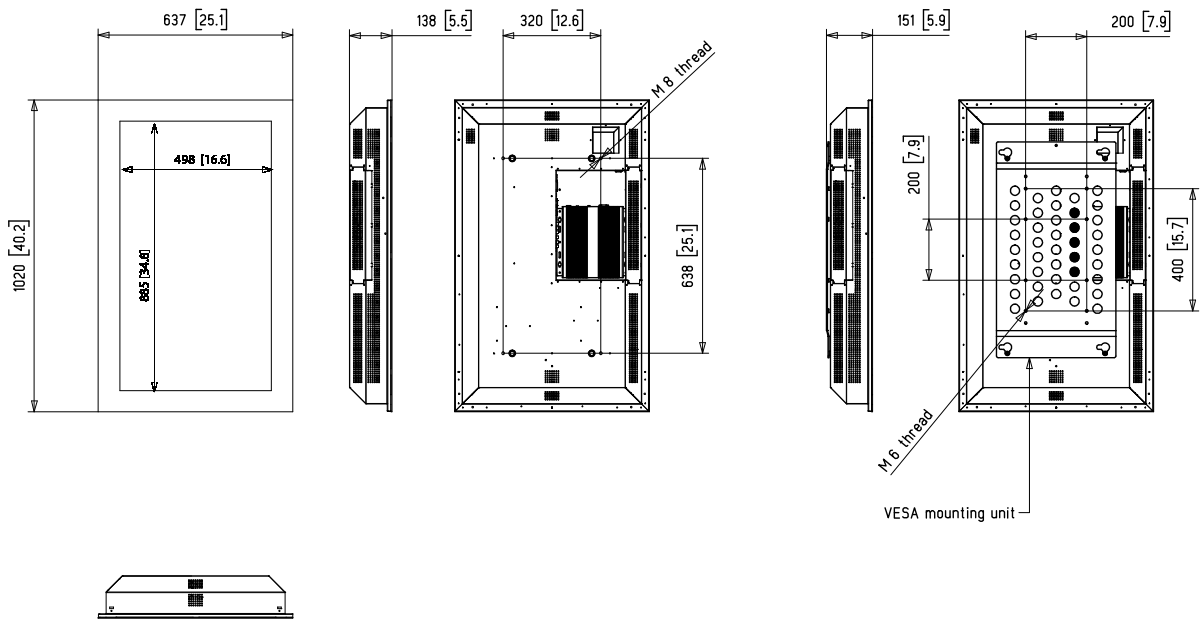
Sign Types within the Ariadne 40" MM Assortment

40" flat front portrait / landscape
Drawing page 5
Wiring page 6



40" flat front monolith
Drawing page 5
Wiring page 8

Ariadne Flat Front Portrait

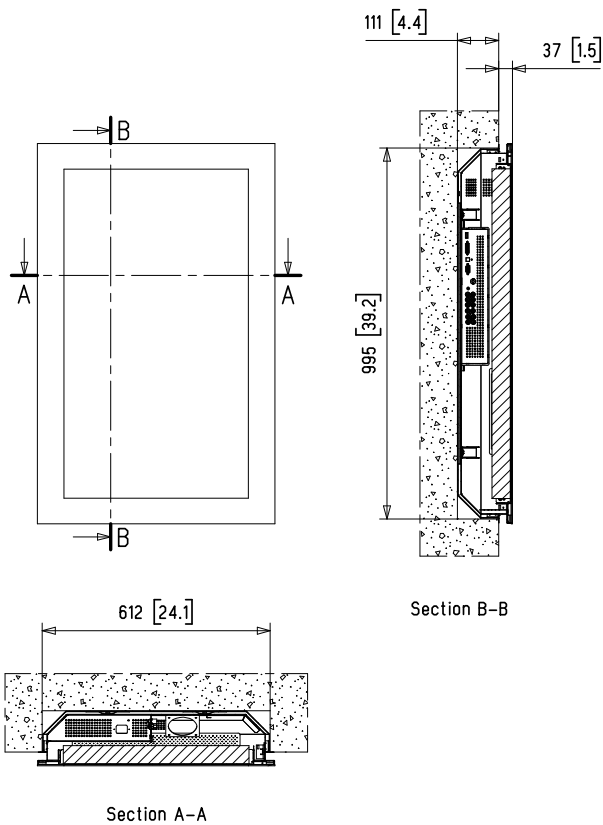


Weight of Components

Sign weight: 40" MM portrait/landscape

26.5 kg 58.4 lb

Built into wall (Sleeve needed):

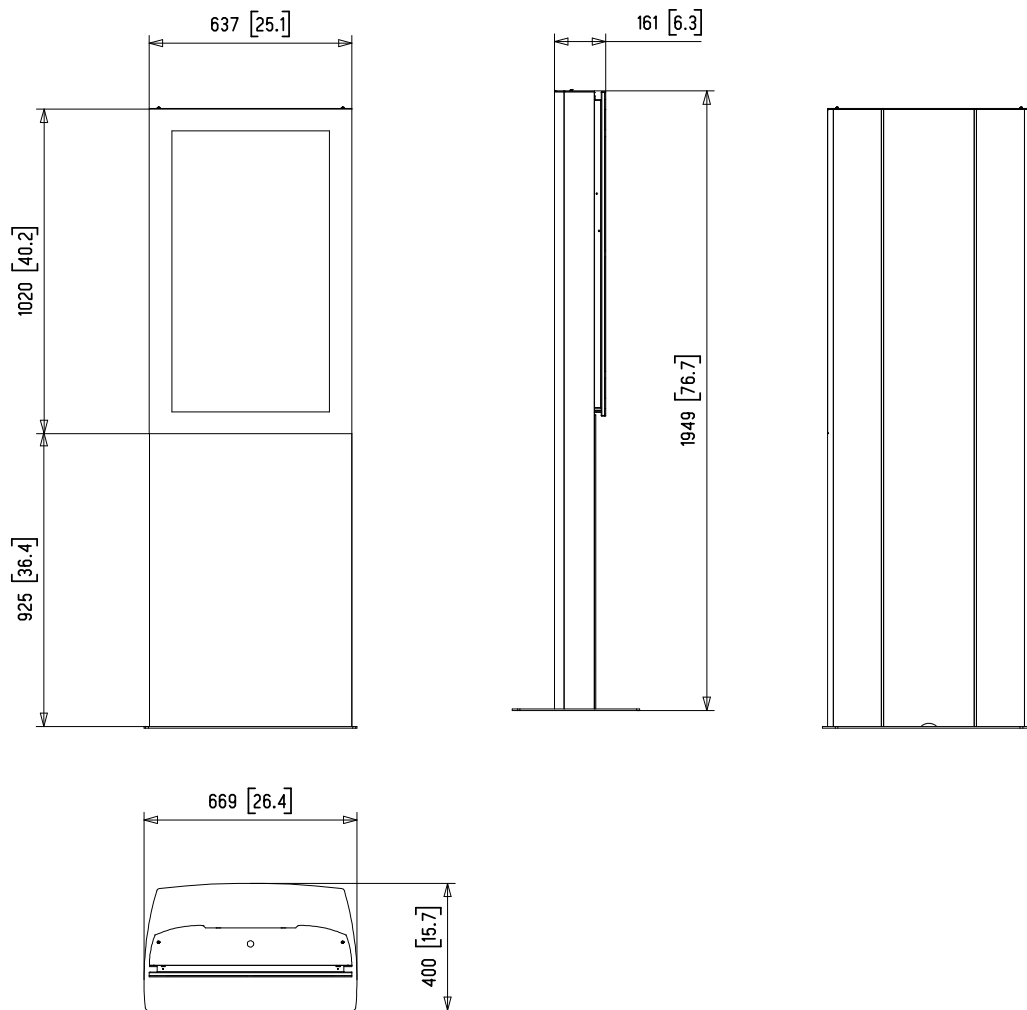


Weight of Components

Sign weight: 40" MM portrait/landscape

36.5 kg 80.5 lb

Ariadne Flat Front Monolith

**Weight of Components**

Sign weight: Monolith 40" MM

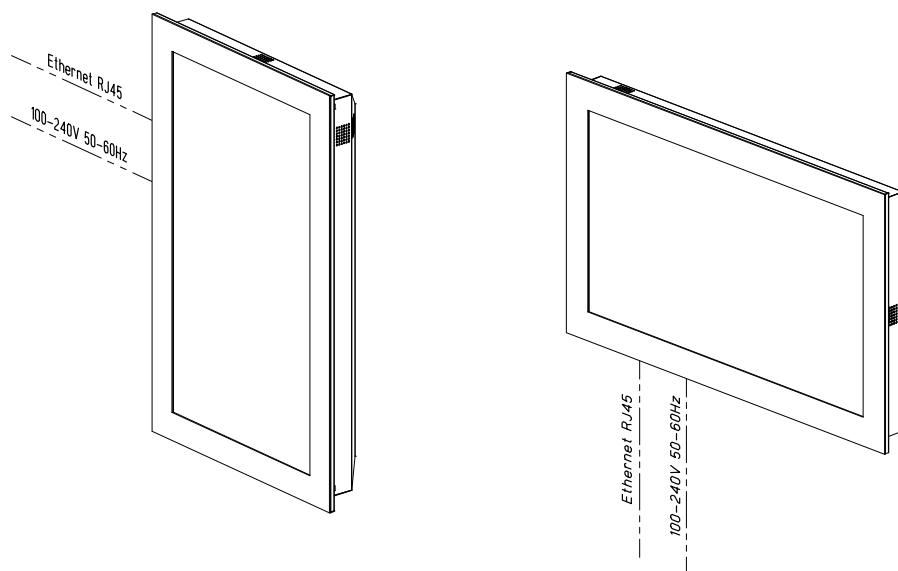
75.5 kg 166.4 lb

Wiring Details for 40" Wall Sign

The Multimedia controller (MMC AMI200) is integrated into the sign. The LAN and power cables can enter the sign in the area in the cabinet as shown in the pictures below.

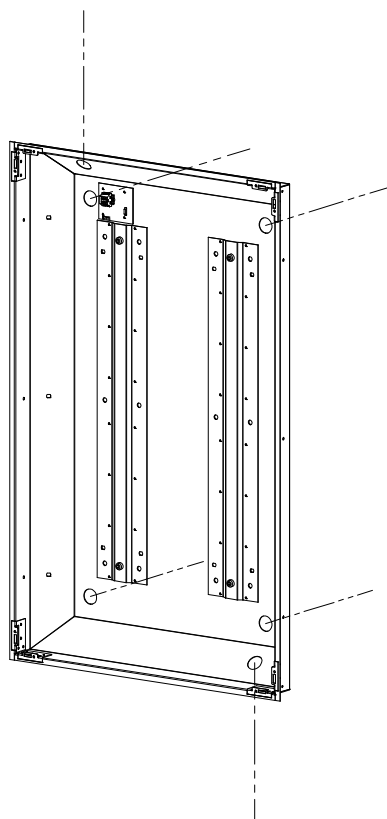
The below technical drawings also show:

- Wiring for wall mounted

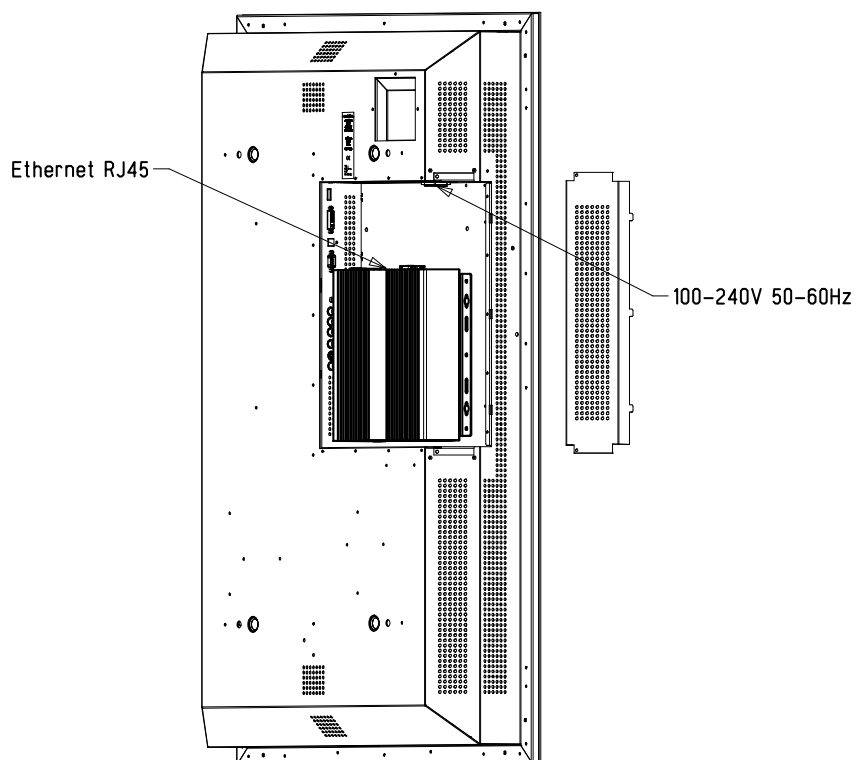


US regulations:
Power: 120-230V, 50-60Hz, AWG 14.
An appropriate disconnect device shall be
part of the building installation.
Ethernet: RJ45

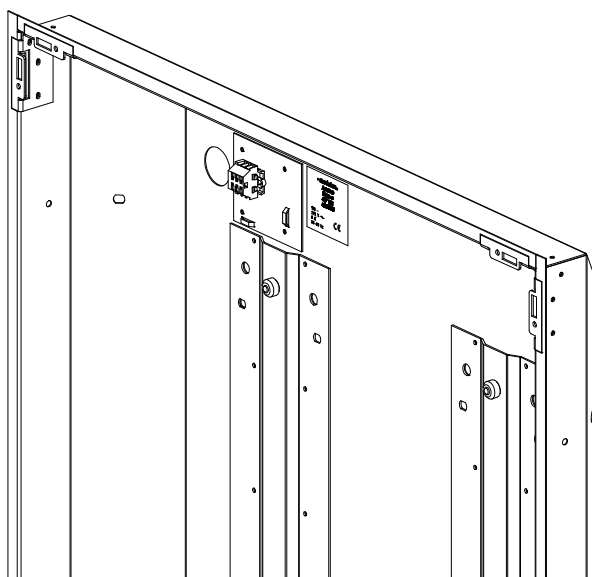
- Wiring for wall integrated (sleeve)



Wiring detail:



Wiring detail wall integrated sleeve::

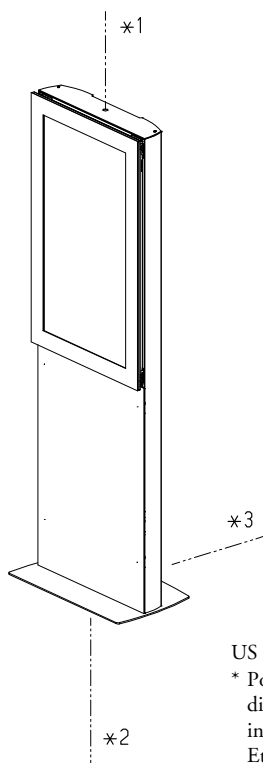


Wiring Details for 40" Monolith

The network and power cables can enter the sign through the holes in the cabinet as shown in the pictures below.

The technical drawings below also show:

- The exact position of the inlet holes
- The length of the cables measured from point of entrance (cable inlet) to end of cable



US regulations:

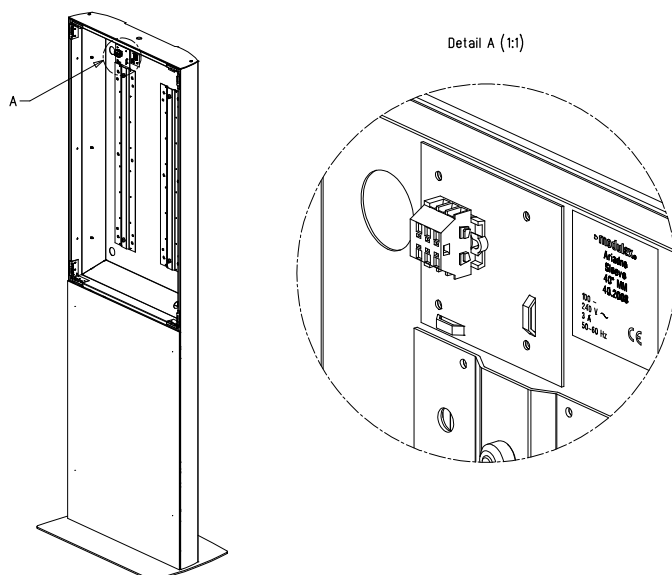
* Power: 120-230V, 50-60Hz, AWG14. An appropriate disconnect device shall be a part of the building installation.

Ethernet: RJ45

Length of cables:

Cable inlet option	230/110V	LAN
1	500mm [19.7]	1000mm [39.4]
2	2500mm [98.4]	2250mm [88.6]
3	2500mm [98.4]	2250mm [88.6]

Wiring details:



Power cable for MMC:

Available in European and American version. MMC AMI200 is delivered with power cable.

Ethernet cable specification:

Standard straight RJ45.

Ethernet pin configuration:

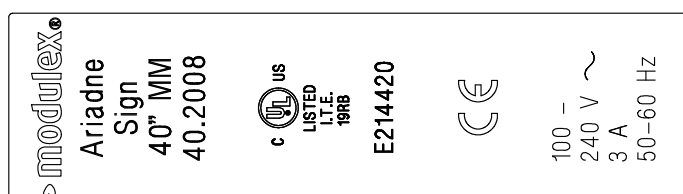
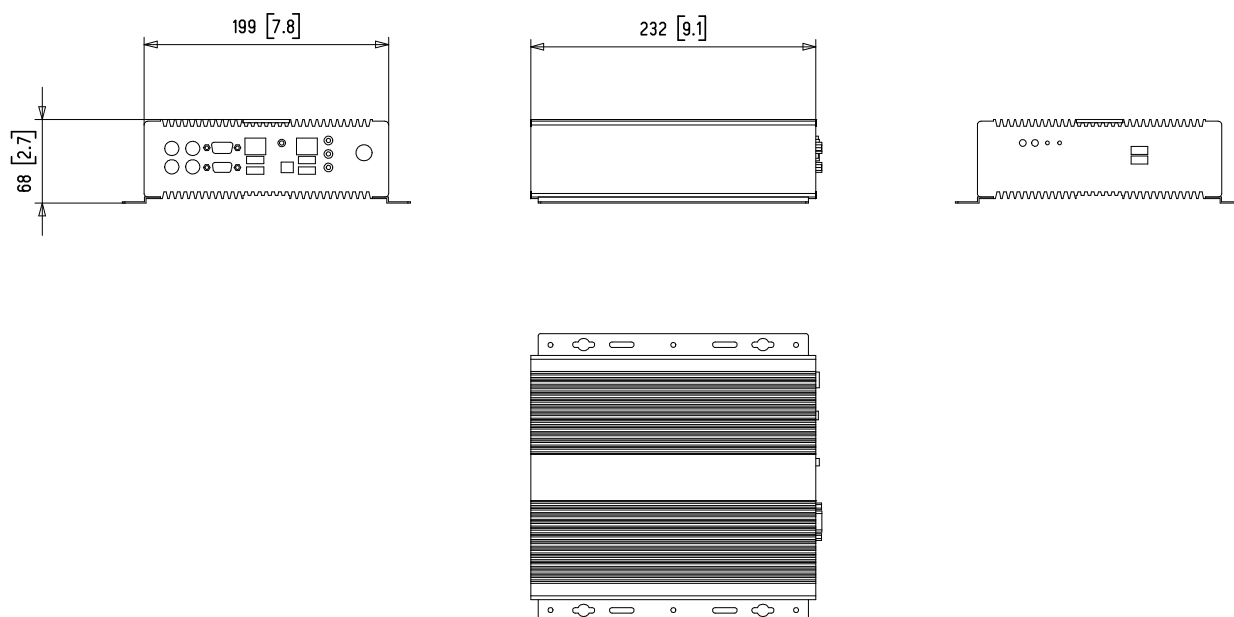
RJ45 straight: Use standard T568A in both ends OR standard T568B in both ends.

T568A pin colours: 1=white/green, 2=green, 3=white/orange, 4=blue, 5=white/blue, 6=orange, 7=white/brown, 8=brown.

T568B pin colours: 1=white/orange, 2=orange, 3=white/green, 4=blue, 5=white/blue, 6=green, 7=white/brown, 8=brown.

Electrical specification:

See the “sign approval” label below.

*Multimedia controller (MMC AMI200):*

The MMC AMI200 is integrated on the backside of the sign

Mounting Details

Wall signs:

Guideline for mounting height: Place top of display 1921mm [75.6] above the floor.

Monoliths:

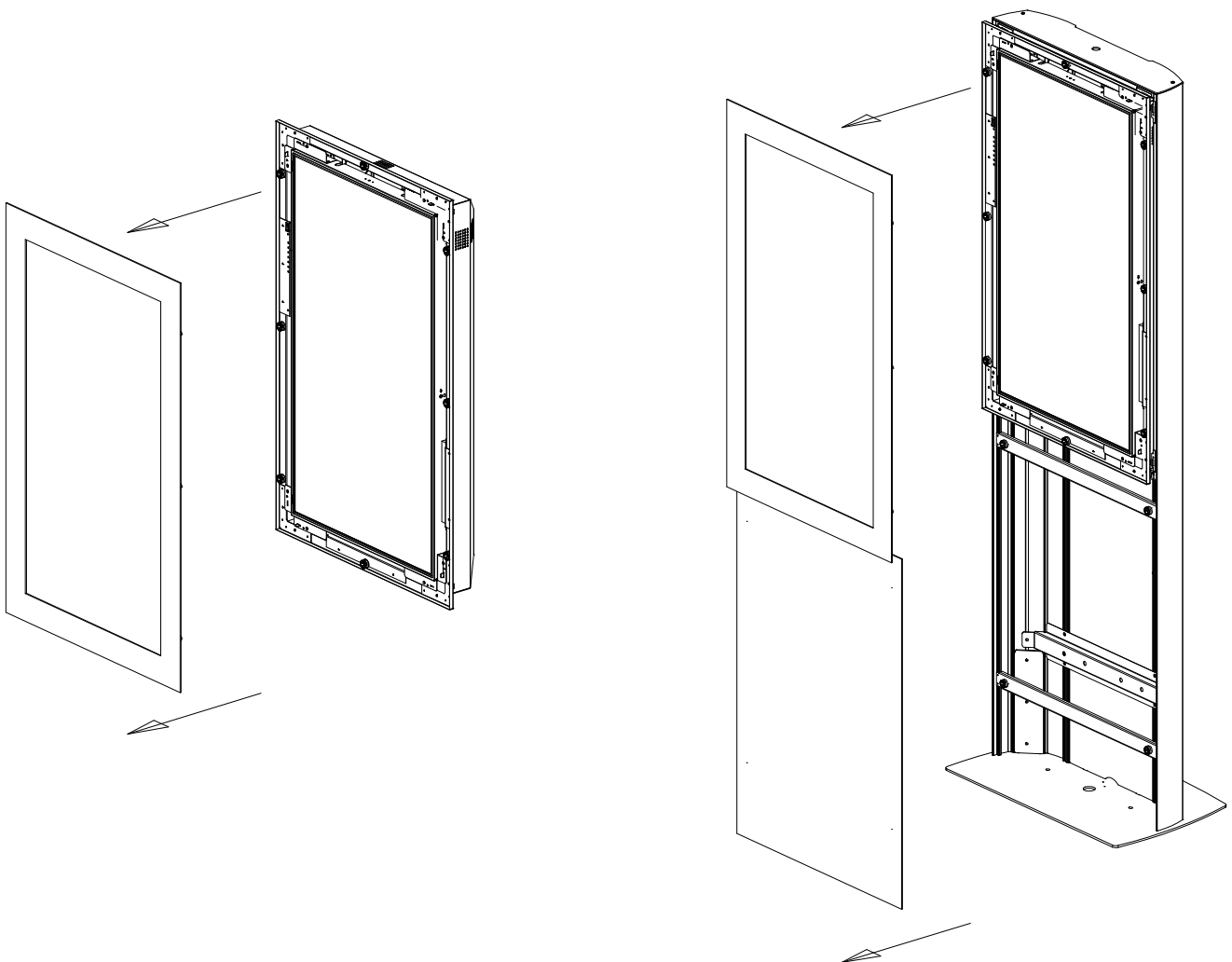
In order to comply with approvals the monolith must be fixed to the floor to prevent the monolith from tipping over.

Service and Maintenance

Dismounting:

Panel are removed by pulling it perpendicular to the panel surface:

On/Off button available behind the front panel



Cleaning:

When necessary the construction must be dismantled and cleaned with a vacuum cleaner.

Painted surfaces: Use a soft cloth moistened with a mild window detergent.

Displays (polarizers): Use absorbent cotton or a soft cloth.

The desirable cleaners are water, IPA (Isopropyl Alcohol) or Hexane.

Do not use Ketone type of materials (eg. Acetone), Ethyl alcohol, Toluene, Ethyl acid or Methyl chloride. It might cause permanent damage to the polarizer due to chemical reaction.